

1120/15

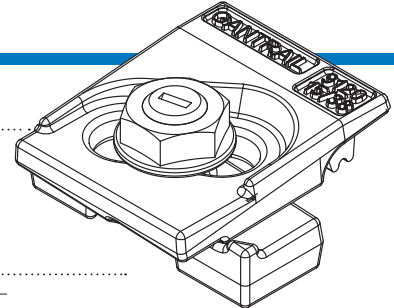
Gantrail Welded Base Fixing

www.gantrail.com



Gantrail®

A world of crane rail expertise



1120/15

The **GANTRAIL 1120/15** adjustable crane rail clip is designed to fix heavy rails, on narrow supports, in the most arduous applications. It can withstand a horizontal force from the rail of 120kN (12.2 tonnes). Its low profile allows it to be used with cranes that are fitted with guide rollers.

SPECIFICATIONS:

MAX SIDE LOAD 120kN
15mm HORIZONTAL RAIL ADJUSTMENT

DIMENSIONS (mm):

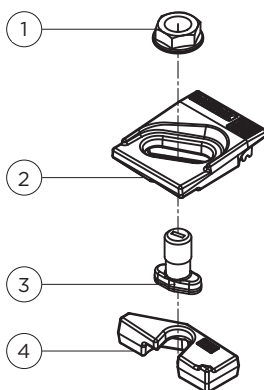
| REF No. | X | Y | Z | WEIGHT kg |
|------------|----|----|----|-----------|
| 1120/15/38 | 38 | 48 | 30 | 0.90 |
| 1120/15/41 | 41 | 48 | 30 | 0.93 |

1120/15/38 comprises 1120/12 base and 9120/15/38 cap
1120/15/41 comprises 1120/12 base and 9120/15/41 cap

FEATURES

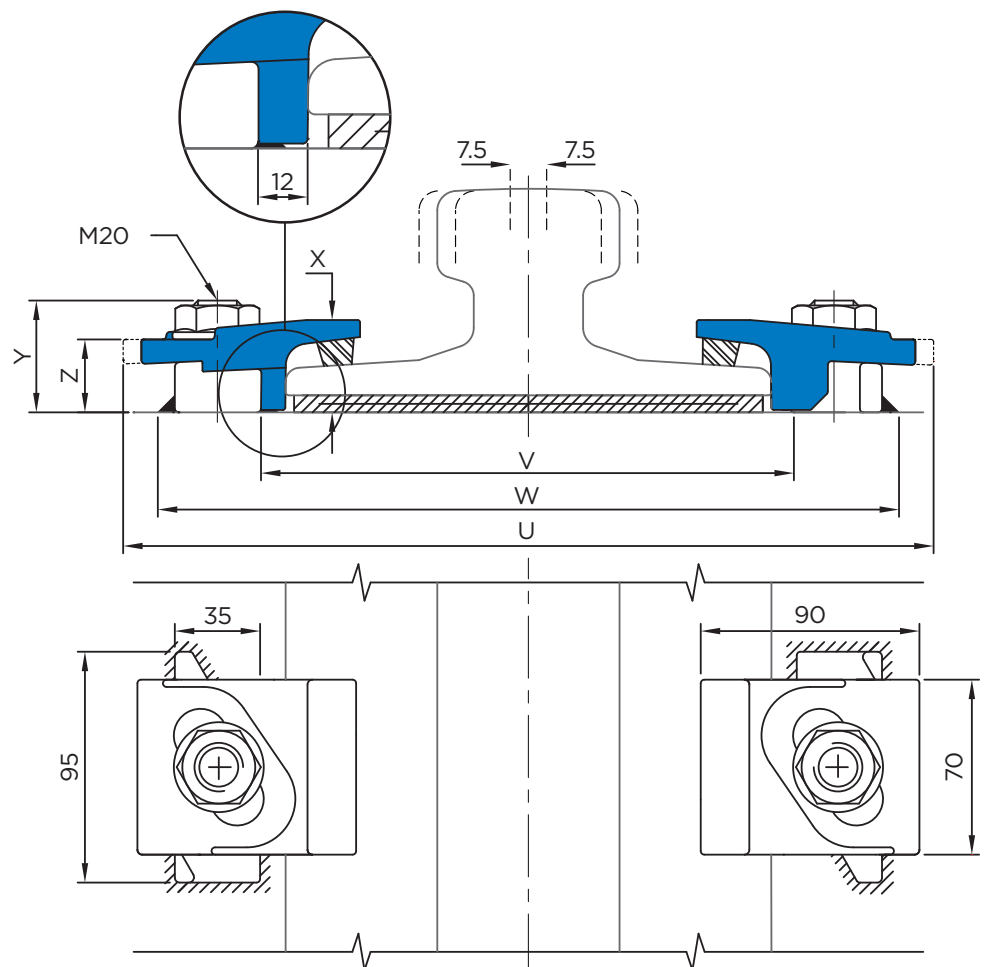
- The proven design has been used successfully for many years throughout the world.
- The clip is welded to the rail support. No access is required from below.
- The two main parts are locked together on tightening the grade 8.8 bolt.
- The clip has a self-tightening mechanism.
- A special vulcanised rubber block applies a controlled force to the rail.

COMPONENTS



1. Flange nut
2. Clip cap with integral rubber block
3. M20 Captive bolt
4. Weldable base

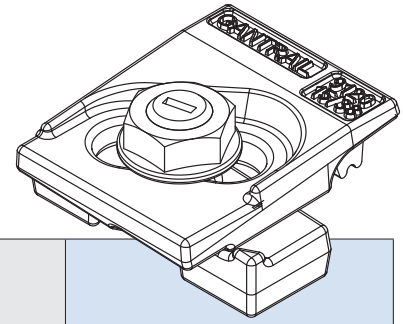
1 RAIL WITH PAD

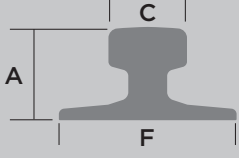


Minimum assembly width - $W = \text{Rail width (F)} + 108\text{mm}$ $V = \text{Rail width (F)} + 24\text{mm}$
 $U = \text{Rail width (F)} + 135\text{mm}$

1120/15

Gantrail Welded Base Fixing



|  | F mm | C mm | A mm | 1. CLIP REFERENCE FOR RAIL WITH PAD | 2. CLIP REFERENCE FOR RAIL WITHOUT PAD* |
|---|---------|---------|---------|--|--|
| A 75 | 200 | 75 | 85 | 1120/15/38 | 1120/15/38 |
| A 100 | 200 | 100 | 95 | 1120/15/38 | 1120/15/38 |
| A 120 | 220 | 120 | 105 | 1120/15/38 | 1120/15/38 |
| A 150 | 220 | 150 | 150 | 1120/15/38 | 1120/15/38 |
| S 49 | 125 | 67 | 149 | 1120/15/38 | - |
| 89 kg CR | 178 | 102 | 114 | 1120/15/38 | 1120/15/38 |
| MRS 67 (135 CR) | 132 | 79 | 146 | 1120/15/38 | 1120/15/38 |
| MRS 85 (171 CR) | 152 | 103 | 152 | 1120/15/38 | 1120/15/38 |
| MRS 86 | 165 | 102 | 102 | 1120/15/38 | 1120/15/38 |
| MRS 87 A (PRI85R) | 152 | 102 | 152 | 1120/15/38 | 1120/15/38 |
| MRS 87 B (175 CR) | 152 | 102 | 152 | 1120/15/38 | 1120/15/38 |
| GCR 108 | 263 | 61+61 | 100 | 1120/15/38 | - |
| GCR 183 | 280 | 75 | 120 | 1120/15/38 | 1120/15/38 |
| ISCR 100 | 150 | 102 | 150 | 1120/15/38 | 1120/15/38 |
| ISCR 120 | 170 | 120 | 170 | 1120/15/38 | 1120/15/38 |
| QU 100 | 150 | 100 | 150 | 1120/15/38 | 1120/15/38 |
| QU 120 | 170 | 120 | 170 | 1120/15/38 | 1120/15/38 |
| JIS 50 | 127 | 63 | 145 | 1120/15/38 | 1120/15/38 |
| JIS 60 | 145 | 64 | 174 | 1120/15/38 | 1120/15/38 |
| CR 73 | 140 | 100 | 135 | 1120/15/38 | 1120/15/38 |
| CR 100 | 155 | 120 | 150 | 1120/15/41 | 1120/15/38 |
| 68 kg AS | 152 | 73 | 186 | 1120/15/38 | 1120/15/38 |
| 86 kg AS | 165 | 102 | 102 | 1120/15/38 | 1120/15/38 |
| UIC 54 E | 125 | 66 | 161 | 1120/15/38 | 1120/15/38 |

This clip can be used for a wider selection of rails than illustrated.

Please contact GANTRAIL for the full range of possible rails. All rails can be fastened with bolted or welded base clips. GANTRAIL may change or improve their products and also alter specifications without notice.

INSTALLATION INSTRUCTIONS:

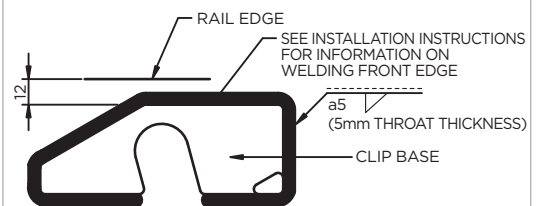
Weld all round the clip base with a 5mm throat thickness fillet weld, using low hydrogen electrodes. Recommended electrodes AWS E7018 or E7028. Clip base is made from weldable grade steel.

* For rail without pad, weld closest to and parallel with the rail must be omitted. Please consult Gantrail for guidance.

TIGHTENING TORQUE 350Nm

Please contact GANTRAIL, for full installation instructions.

WELD DETAIL



A world of crane rail expertise.

www.gantrail.com



Gantry Railing Ltd
Sudmeadow Road
Hempsted
Gloucester GL2 5HG
ENGLAND

Tel: +44 (0) 1452 300688
E-mail: info@gantrail.com



1120/15/DO/04/21