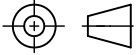


THIRD ANGLE PROJECTION

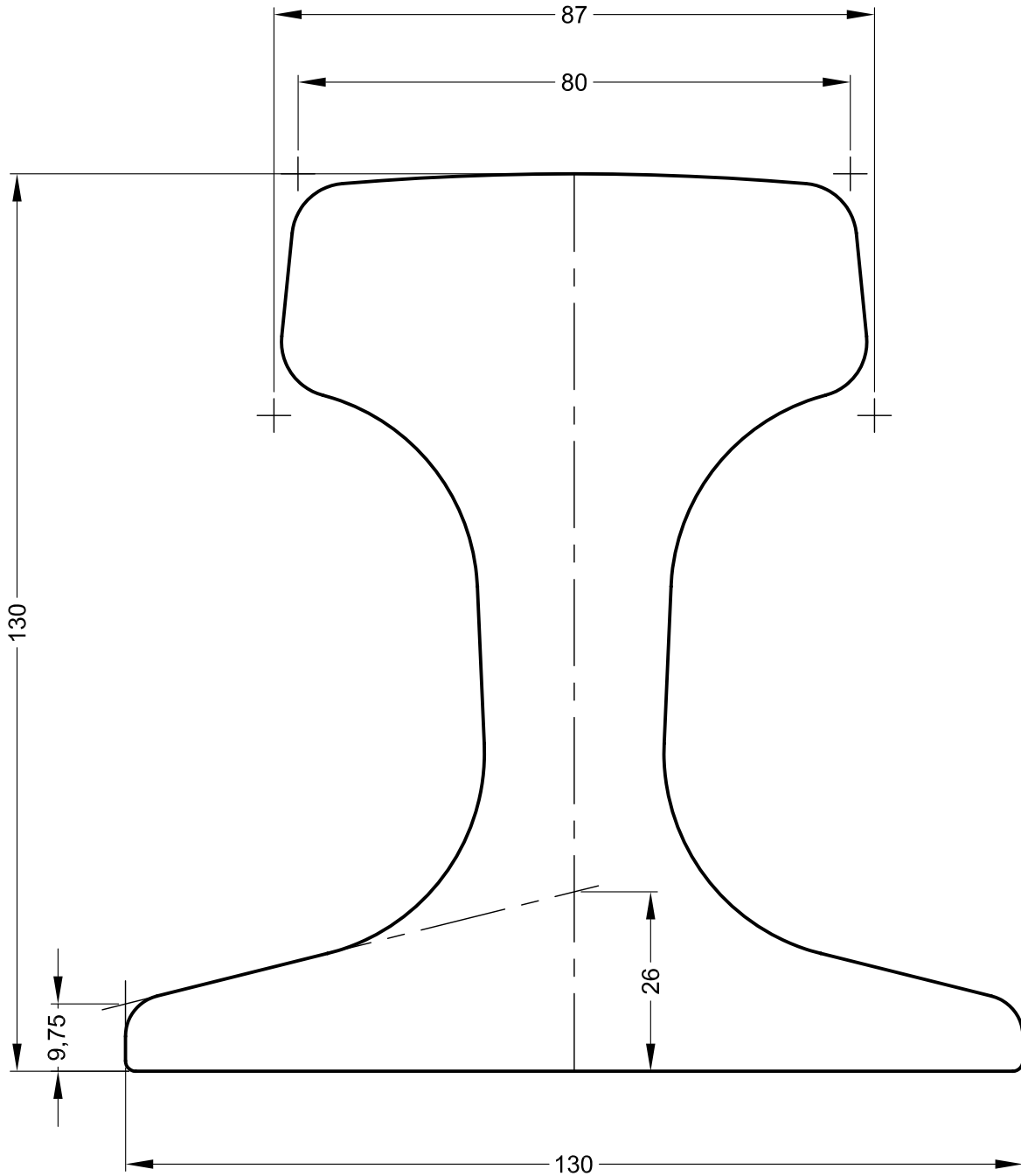


FOR GUIDANCE ONLY
THIS INFORMATION HAS BEEN
PROVIDED IN GOOD FAITH BUT
SPECIFICATIONS DO CHANGE

Edition C

Date 16/01/14

Scale 1:1 @ A4



NOTE: THE PROPERTIES SPECIFIED BELOW HAVE BEEN CALCULATED USING AUTOCAD SOFTWARE AND ARE ACCURATE AT THE TIME OF THIS DRAWING ISSUE. THESE FIGURES MAY DIFFER SLIGHTLY FROM THOSE PUBLISHED IN THE STANDARD FOR THE RAIL.

GANTRAIL[®]

Rail Mounting Systems

THE TECHNICAL DATA CONTAINED IN THIS DRAWING IS THE PROPERTY OF GANTRY RAILING LIMITED AND IS SUBJECT TO COPYRIGHT ©

Gantry Railing Limited

SUDMEADOW ROAD, HEMPSTED
GLOUCESTER GL2 5HG, ENGLAND
Tel: (01452)300688 Fax (01452)300198
International Dialling # 44.1452
<http://www.gantry.co.uk>
E-Mail: info@gantry.co.uk

| | | | |
|----------------------|----------------------|----------------------|-------------------------------------|
| Rail Designation | KP80 | | |
| Rail Origin | RUSSIA | | |
| Standard | GOST 4121-96 | | |
| Area of section | 7423 mm ² | | |
| Calculated Mass | 63.61 kg/m | | |
| Neutral Axis to base | 63.73 mm | | |
| Moment of Inertia | I _{xx} | 1491 cm ⁴ | I _{yy} 424 cm ⁴ |