

2530/14

Gantrail Bolted Fixing

www.gantrail.com

UK Patent Number GB2551404



2530/14

The GANTRAIL 2530/14 adjustable crane rail clip is designed to fix heavy rails in the most arduous applications. It can withstand a horizontal force from the rail of 200kN (20.4 tonnes). Its low profile allows it to be used with cranes that are fitted with guide rollers.

SPECIFICATIONS:

| | |
|--------------------|----------|
| BOLT GRADE | 8.8 |
| MAX SIDE LOAD (kN) | 200 |
| BOLT TORQUE (Nm) | 900-1000 |

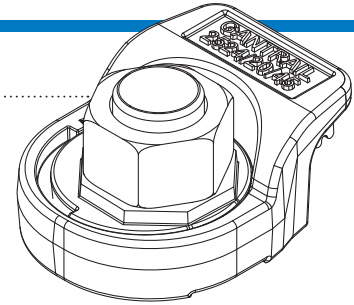
14mm HORIZONTAL RAIL ADJUSTMENT

DIMENSIONS (mm):

| REF No. | X | Y | Z | WEIGHT kg |
|------------|----|----|----|-----------|
| 2530/14/45 | 45 | 66 | 33 | 1.1 |

* weight without nut and bolt.

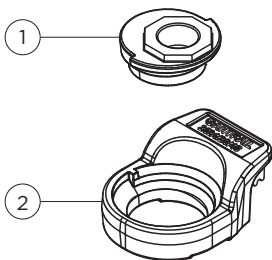
2530/14/45 clip comprises 2524/20/45 clip body and 2530 Cam



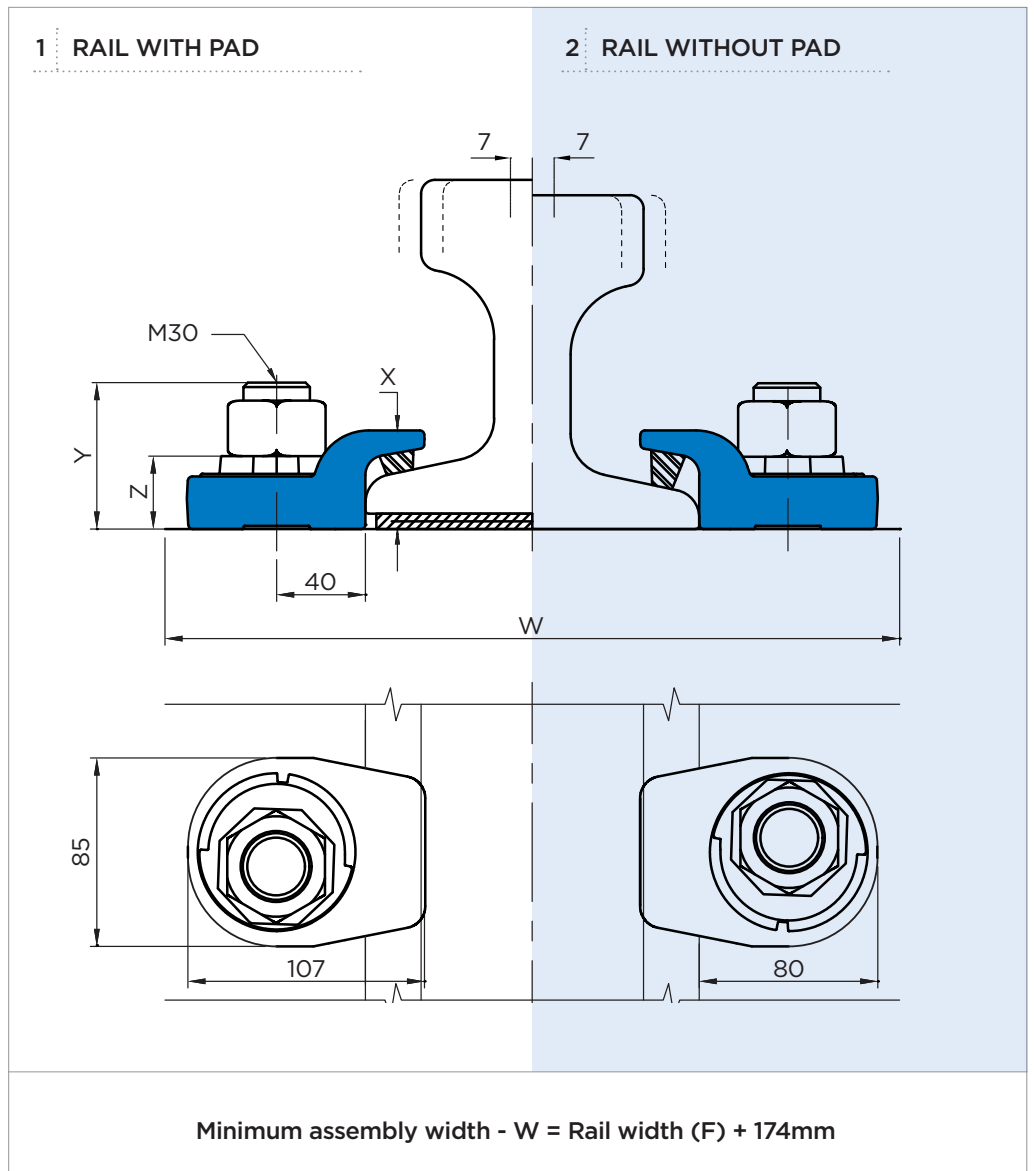
FEATURES

- The proven design has been used successfully for many years throughout the world.
- The clip has a unique selftightening mechanism (patent pending)
- The unique design ensures that incorrect installation is avoided
- The clip is bolted to the rail support.
- The two main parts are locked together on tightening the nut.
- A special vulcanised rubber block applies a controlled force to the rail.

COMPONENTS

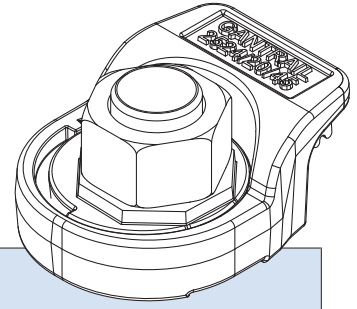


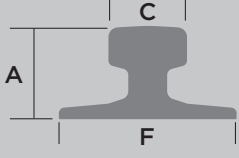
1. Clip cam
2. Clip body



2530/14

Gantrail Bolted Fixing



|  | F mm | C mm | A mm | 1. CLIP REFERENCE FOR RAIL WITH PAD | 2. CLIP REFERENCE FOR RAIL WITHOUT PAD* |
|---|---------|---------|---------|--|--|
| 68 kg | 152 | 75 | 186 | 2530/14/45 | 2530/14/45 |
| 73 kg | 146 | 70 | 157 | 2530/14/45 | 2530/14/45 |
| 86 kg | 165 | 102 | 102 | 2530/14/45 | 2530/14/45 |
| 88 kg | 152.4 | 74.6 | 185.7 | 2530/14/45 | 2530/14/45 |
| A120 | 220 | 120 | 105 | 2530/14/45 | 2530/14/45 |
| A150 | 220 | 150 | 150 | 2530/14/45 | 2530/14/45 |
| MRS 73 | 146 | 70 | 157 | 2530/14/45 | 2530/14/45 |
| MRS 86 | 165 | 102 | 102 | 2530/14/45 | 2530/14/45 |
| MRS 87A | 152 | 102 | 152 | 2530/14/45 | 2530/14/45 |
| CR 73 | 140 | 100 | 135 | 2530/14/45 | 2530/14/45 |
| CR 100 | 140 | 100 | 135 | 2530/14/45 | 2530/14/45 |
| QU 120 | 150 | 100 | 150 | 2530/14/45 | 2530/14/45 |
| ISCR 120 | 170 | 120 | 170 | 2530/14/45 | 2530/14/45 |
| SP 120 | 170 | 120 | 170 | 2530/14/45 | 2530/14/45 |
| 171 CR | 152 | 103 | 152 | 2530/14/45 | 2530/14/45 |
| 175 CR | 152 | 102 | 152 | 2530/14/45 | 2530/14/45 |

This clip can be used for a wider selection of rails than illustrated.

Please contact GANTRAIL for the full range of possible rails. All rails can be fastened with bolted or welded base clips. GANTRAIL may change or improve their products and also alter specifications without notice.

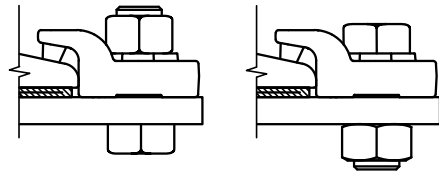
INSTALLATION INSTRUCTIONS:

The hexagon headed fixing bolt can be inserted from above or below the supporting structure - see adjacent configurations.

TIGHTENING TORQUE
Grade 8.8 bolt 900 - 1000Nm

Please contact GANTRAIL, for full installation instructions.

BOLT CONFIGURATIONS



A world of crane rail expertise.

www.gantrail.com



Gantry Railing Ltd
Unit 11A
Barnett Way
Barnwood
Gloucester GL4 3QA
United Kingdom

Tel: +44 (0) 1452 300688
E-mail: info@gantrail.com



2530/14/DO/01/25