

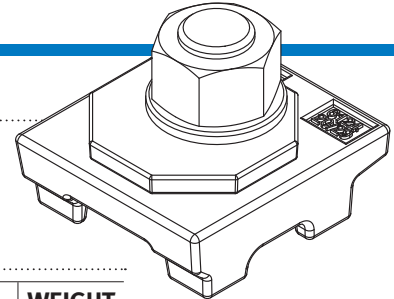
# 6124/20

## Gantrail Bolted Fixing

www.gantrail.com



**GANTRAIL**  
A world of crane rail expertise



6124/20

The GANTRAIL 6124/20 adjustable crane rail clip is designed to fix heavy rails in the most arduous applications. It can withstand a horizontal force from the rail of 125kN (12.7 tonnes). Its low profile allows it to be used with cranes that are fitted with guide rollers.

### SPECIFICATIONS:

MAX SIDE LOAD using Grade 8.8 bolt 125kN  
20mm HORIZONTAL RAIL ADJUSTMENT

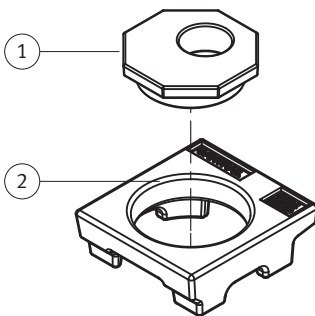
### DIMENSIONS (mm):

REF NO.	X	Y (FULL NUT)	Y (THIN NUT)	Z	WEIGHT kg
6124/20/28	28	65	55	35	0.90
6124/20/31	31	65	55	38	0.93

### FEATURES

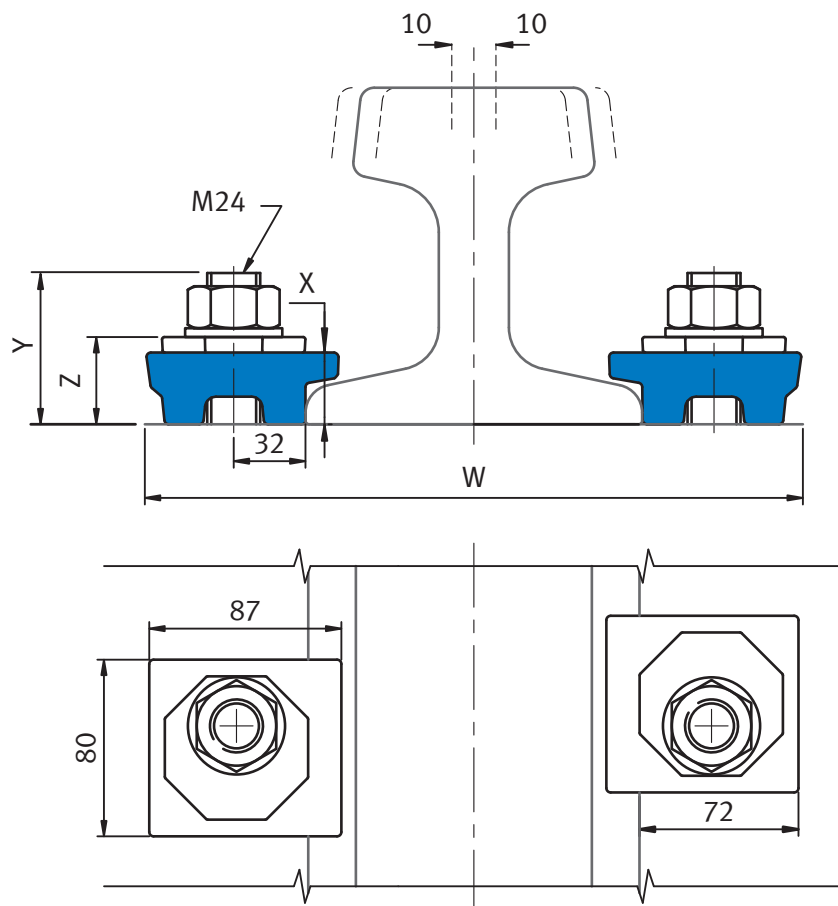
- The proven design has been used successfully for many years throughout the world.
- The clip is bolted to the rail support.
- The two main parts are locked together on tightening the nut.

### COMPONENTS



1. Clip cam
2. Clip body

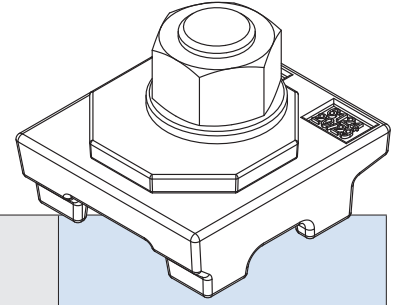
### 2 RAIL WITHOUT PAD

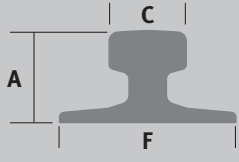


Minimum assembly width -  $W = \text{Rail width (F)} + 149\text{mm}$

# 6124/20

## Gantrail Bolted Fixing



	F mm	C mm	A mm	1. CLIP REFERENCE FOR PAD MOUNTED RAIL	2. CLIP REFERENCE FOR RAIL WITHOUT PAD
UIC60	150	72	172	Not applicable	6124/20/28
56 E1	140	70	159	Not applicable	6124/20/28
A100	200	100	95	Not applicable	6124/20/28
A120	220	120	105	Not applicable	6124/20/31
MRS 87A	152	102	152	Not applicable	6124/20/31
QU100	150	100	150	Not applicable	6124/20/28
QU120	150	100	150	Not applicable	6124/20/31
ISCR 100	150	100	150	Not applicable	6124/20/28
ISCR 120	170	120	170	Not applicable	6124/20/31

**THIS CLIP CAN BE USED FOR A WIDER SELECTION OF RAILS THAN ILLUSTRATED.**

Please contact GANTRAIL for the full range of possible rails. All rails can be fastened with bolted or welded base clips. GANTRAIL may change or improve their products and also alter specifications without notice.

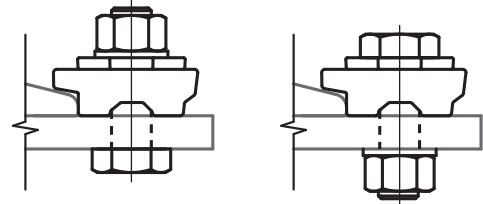
### INSTALLATION INSTRUCTIONS:

The hexagon headed fixing bolt can be inserted from above or below the supporting structure – see adjacent configurations.

If it is desired to fix the clip with a welded stud, this may be possible. Please consult GANTRAIL for guidance.

**TIGHTENING TORQUE**  
Grade 8.8 bolt 600Nm  
Please contact GANTRAIL for full installation instructions.

### BOLT CONFIGURATIONS



## A world of crane rail expertise.

[www.gantrail.com](http://www.gantrail.com)



**GANTRAIL®**  
A world of crane rail expertise

**Gantry Railing Ltd**  
Sudmeadow Road  
Hempsted  
Gloucester GL2 5HG  
ENGLAND

Tel: +44 (0) 1452 300688  
Fax: +44 (0) 1452 300198  
E-mail: [info@gantrail.com](mailto:info@gantrail.com)

**Gantrail (Middle East) Ltd**  
P O Box 61428  
Jebel Ali Free Zone  
Dubai  
United Arab Emirates

Tel: +971 4 8812 935  
Fax: +971 4 8812 936  
E-mail: [gme@gantrail.com](mailto:gme@gantrail.com)



Certificate No. 5180

6124/20/ET/06/10