

# 1112/10

## Gantrail Welded Base Fixing

www.gantrail.com



**Gantrail®**  
A world of crane rail expertise

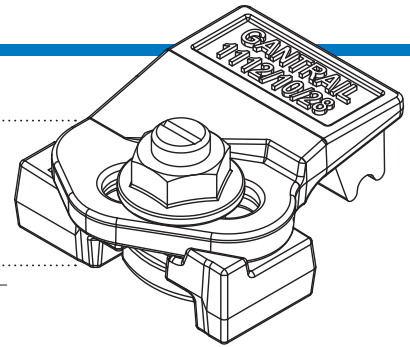
The **GANTRAIL 1112/10** adjustable crane rail clip is designed to fix heavy rails, on narrow girders, in the most arduous applications. It can withstand a horizontal force from the rail of **65kN (6.6 tonnes)**. Its low profile allows it to be used with cranes that are fitted with guide rollers.

### SPECIFICATIONS:

**MAX SIDE LOAD 65kN**  
**10mm HORIZONTAL RAIL ADJUSTMENT**

### DIMENSIONS (mm):

REF No.	X	Y	Z	WEIGHT kg
1112/10/28	28	36.5	24	0.38
1112/10/35	35	36.5	24	0.40

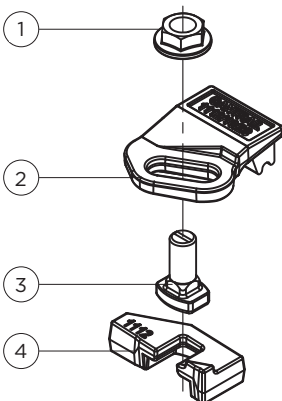


**1112/10**

### FEATURES

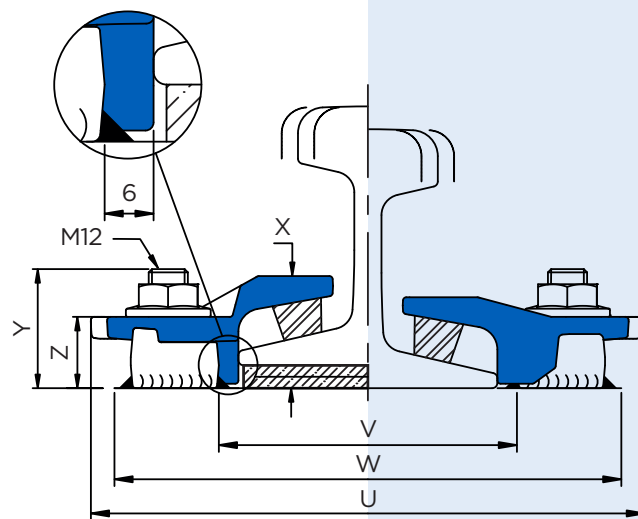
- The proven design has been used successfully for many years throughout the world.
- The clip is welded to the rail support. No access is required from below.
- The two main parts are locked together on tightening the grade 8.8 bolts.
- The clip has a self-tightening mechanism.
- A special vulcanised rubber block applies a controlled force to the rail.

### COMPONENTS

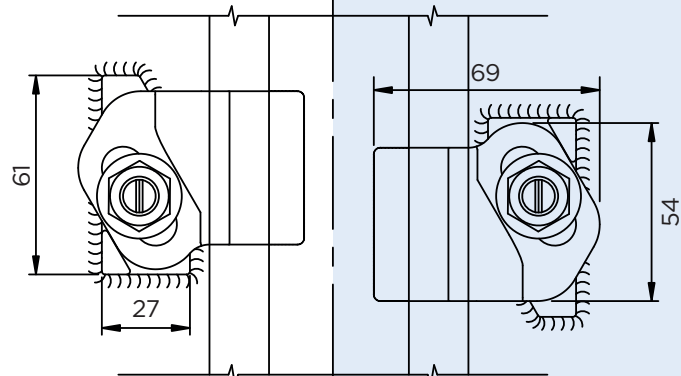


1. Flange nuts
2. Clip cap with integral rubber block
3. M12 Captive bolts
4. Weldable base

### 1 RAIL WITH PAD



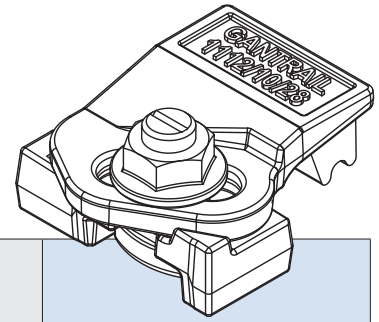
### 2 RAIL WITHOUT PAD\*

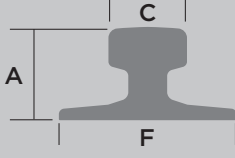


Minimum assembly width (W) = Rail width (F) + 76mm, V = Rail width (F) + 12mm  
U = Rail width (F) + 91.5mm

# 1112/10

## Gantrail Welded Base Fixing



	F mm	C mm	A mm	1. CLIP REFERENCE FOR RAIL WITH PAD	2. CLIP REFERENCE FOR RAIL WITHOUT PAD*
A 45	125	45	55	1112/10/35	1112/10/28
A 55	150	55	65	1112/10/35	1112/10/28
S 7	50	25	65	1112/10/35	1112/10/28
S 10	58	32	70	1112/10/35	1112/10/28
S 14	70	38	80	1112/10/35	1112/10/28
S 18	82	43	92	1112/10/35	1112/10/28
S 20	82	44	100	1112/10/35	1112/10/28
S 24	90	53	115	1112/10/35	1112/10/28
S 30	180	60	108	1112/10/35	1112/10/28
ISCOR 15	76	41	76	1112/10/35	1112/10/28
ISCOR 22	95	50	95	1112/10/35	1112/10/28
ISCOR 30	110	57	110	1112/10/35	1112/10/28
JIS 12	70	38	70	1112/10/35	1112/10/28
JIS 15	79	43	79	1112/10/35	1112/10/28
JIS 22	94	51	94	1112/10/35	1112/10/28
15 kg AS	79	43	79	1112/10/35	1112/10/28
22 kg AS	94	51	94	1112/10/35	1112/10/28
31 kg AS	108	64	118	1112/10/35	1112/10/28
ASCE 12	51	25	51	1112/10/35	1112/10/28
ASCE 20	67	34	67	1112/10/35	1112/10/28
ASCE 25	70	38	70	1112/10/35	1112/10/28
ASCE 30	79	43	79	1112/10/35	1112/10/28
ASCE 40	89	48	89	1112/10/35	1112/10/28
ASCE 50	98	54	98	1112/10/35	1112/10/28
ASCE 60	108	60	108	1112/10/35	1112/10/28
ASCE 70	118	62	118	1112/10/35	1112/10/28

This clip can be used for a wider selection of rails than illustrated.

Please contact GANTRAIL for the full range of possible rails. All rails can be fastened with bolted or welded base clips. GANTRAIL may change or improve their products and also alter specifications without notice.

### INSTALLATION INSTRUCTIONS:

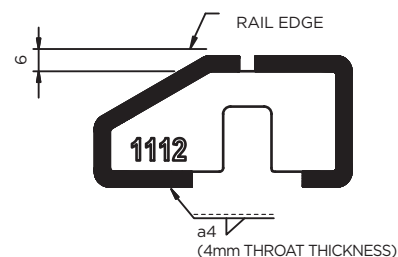
Weld all round the clip base with a 4mm throat thickness fillet weld, using low hydrogen electrodes. Recommended electrodes AWS E7018 or E7028. Clip base is made from weldable grade steel.

\* For rail without pad, weld closest to and parallel with the rail must be omitted. Please consult Gantrail for guidance.

TIGHTENING TORQUE 100Nm

Please contact GANTRAIL, for full installation instructions.

### WELD DETAIL



## A world of crane rail expertise.

[www.gantrail.com](http://www.gantrail.com)



**Gantry Railing Ltd**  
Sudmeadow Road  
Hempsted  
Gloucester GL2 5HG  
ENGLAND

Tel: +44 (0) 1452 300688  
E-mail: [info@gantrail.com](mailto:info@gantrail.com)



1112/10/DO/02/22