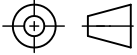


THIRD ANGLE PROJECTION

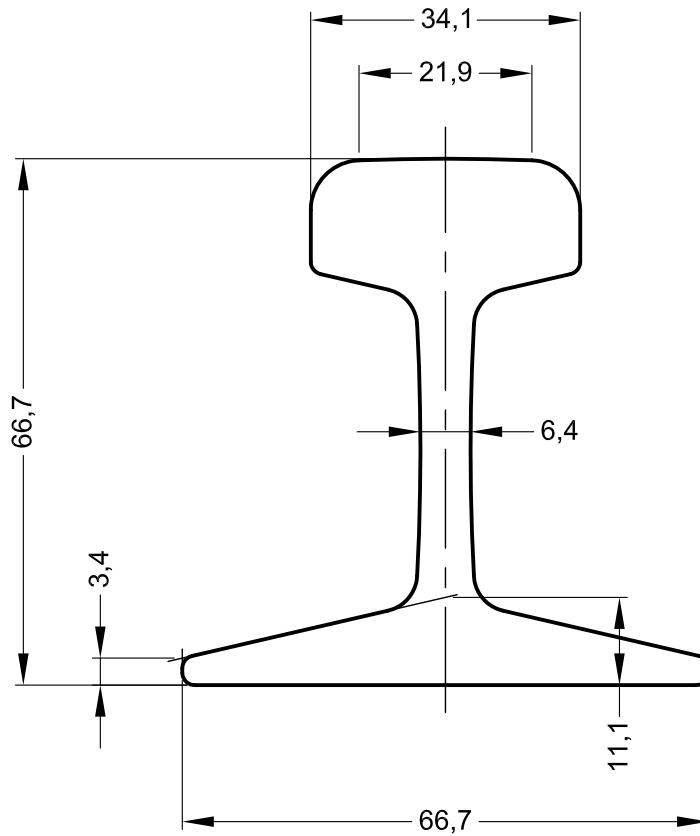


FOR GUIDANCE ONLY  
THIS INFORMATION HAS BEEN  
PROVIDED IN GOOD FAITH BUT  
SPECIFICATIONS DO CHANGE

Edition B

Date 06/07/10

Scale 2:1 @ A4



NOTE: THE PROPERTIES SPECIFIED BELOW HAVE BEEN CALCULATED USING AUTOCAD SOFTWARE AND ARE ACCURATE AT THE TIME OF THIS DRAWING ISSUE. THESE FIGURES MAY DIFFER SLIGHTLY FROM THOSE PUBLISHED IN THE STANDARD FOR THE RAIL.

**GANTRAIL**<sup>®</sup>

Rail Mounting Systems

THE TECHNICAL DATA CONTAINED IN THIS DRAWING IS THE PROPERTY OF GANTRY RAILING LIMITED AND IS SUBJECT TO COPYRIGHT ©

Gantry Railing Limited

SUDMEADOW ROAD, HEMPSTED  
GLOUCESTER GL2 5HG, ENGLAND  
Tel: (01452)300688 Fax (01452)300198  
International Dialling # 44.1452  
<http://www.gantrail.com>  
E-Mail: [info@gantrail.com](mailto:info@gantrail.com)

Rail Designation	ASCE 20
Rail Origin	USA
Standard	ASTM A1
Area of section	1284 mm <sup>2</sup>
Calculated Mass	9.92 kg/m
Neutral Axis to base	31.9 mm
Moment of Inertia	I <sub>xx</sub> 79.8 cm <sup>4</sup>   I <sub>yy</sub> 17.6 cm <sup>4</sup>